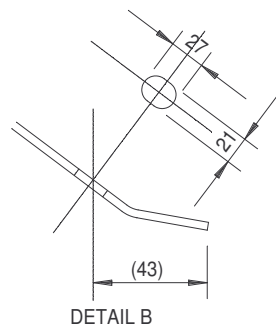
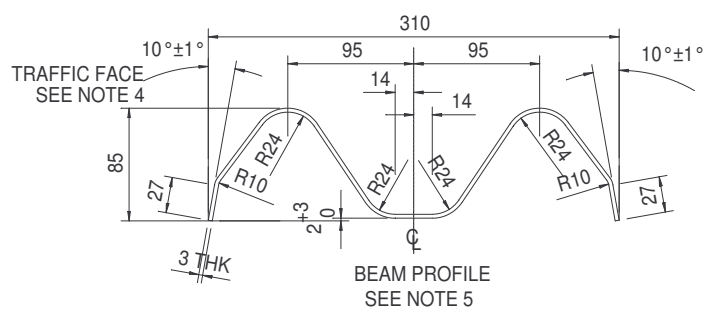
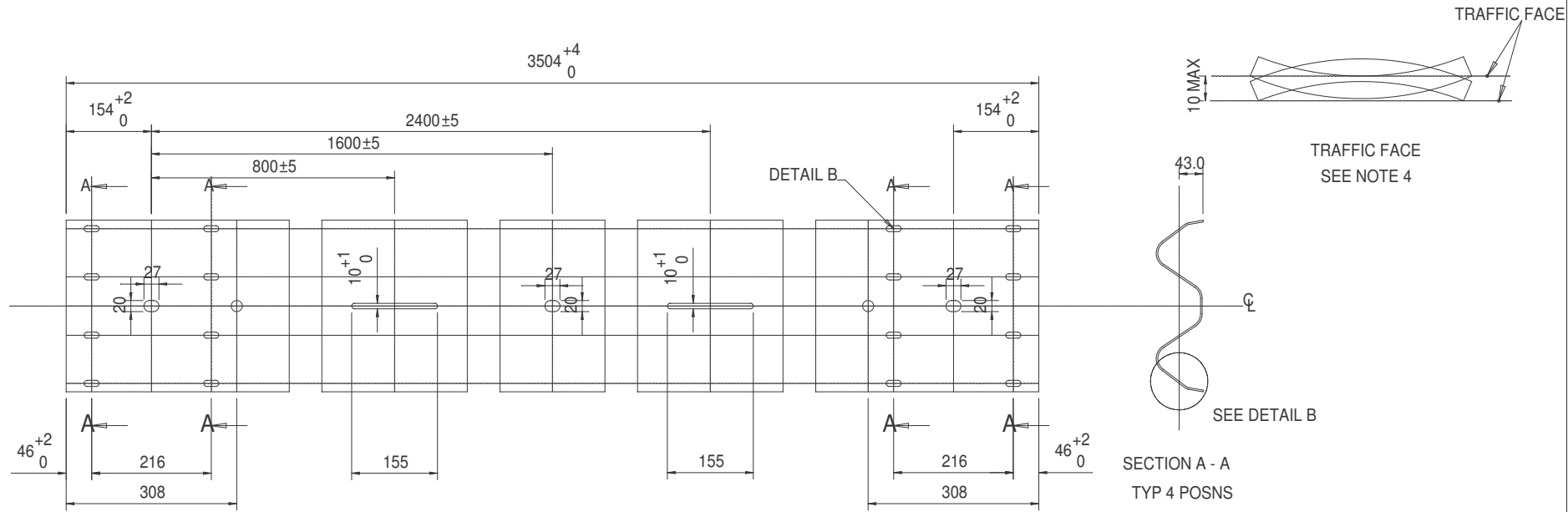


armco direct limited
CRASH PROTECTION PRODUCTS

MATERIAL TYPE	MATERIAL SIZE	MATERIAL GRADE	QTY
MILD STEEL	3mm THICK	BSEN 10025 S275	



- NOTES-
1. DIMENSIONS ARE IN MILLIMETRES
 2. REMOVE ALL BURRS AND SHARP EDGES
 3. DURABLY MARK MANUFACTURERS IDENTIFICATION AND DATE
 4. TRAFFIC FACE OF BEAM TO BE STRAIGHT WITHIN THE TOLERANCE SHOWN.
 5. THE SECTIONS OF THE BEAM PROFILE BETWEEN RADII SHALL NOT DEVIATE FROM A STRAIGHT LINE BY MORE THAN ± 1mm

GALVANISED TO BS EN ISO 1461	DRAWN	DATE	REVISION	DESCRIPTION	ITEM NO	DWG NO
TOLERANCE: UPTO 400MM +2MM 401 TO 800MM +4MM 801 AND OVER +6MM	A.I.B	15/09/08	1	STANDARD CORRUGATED BEAM		ARM 001