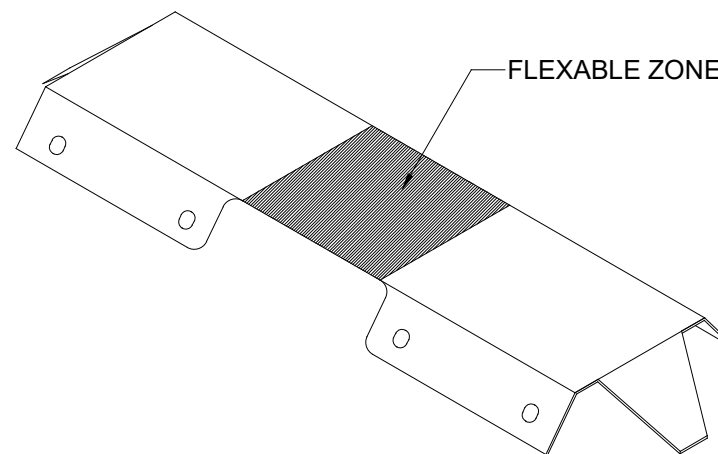
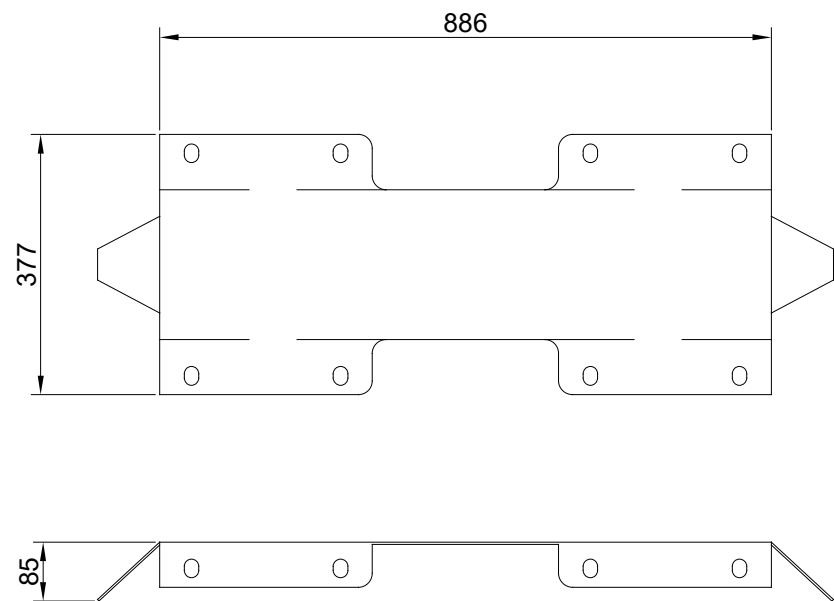


armcodirect limited
CRASH PROTECTION PRODUCTS

MATERIAL TYPE	MATERIAL SIZE	MATERIAL GRADE	QTY



GALVANISED TO BS EN ISO 1461	DRAWN	DATE	REVISION	DESCRIPTION	ITEM NO	DWG NO
TOLERANCE: UPTO 400MM +2MM 401 TO 800MM +4MM 801 AND OVER +6MM	TAS	13/09/18				