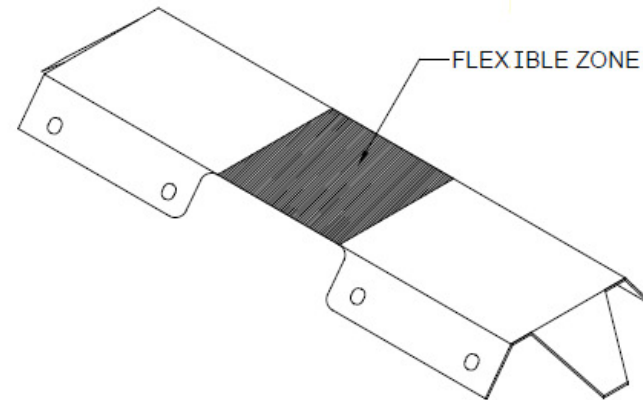
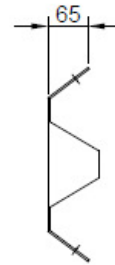
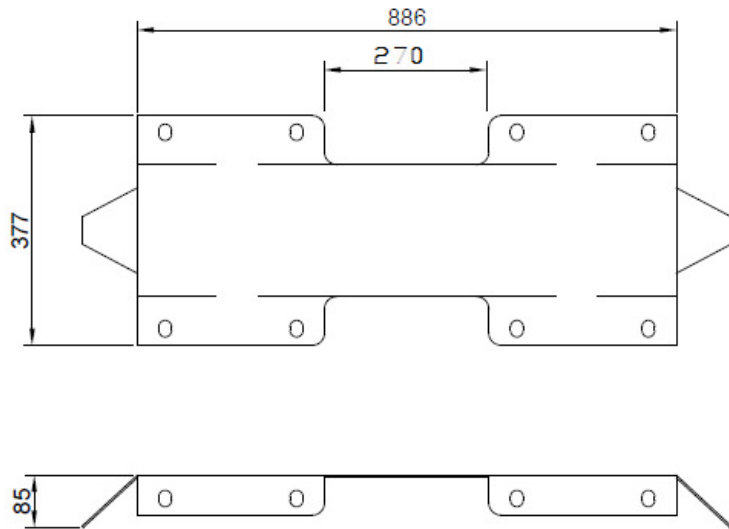


**armco direct** limited  
CRASH PROTECTION PRODUCTS

| MATERIAL TYPE | MATERIAL SIZE | MATERIAL GRADE | QTY |
|---------------|---------------|----------------|-----|
| STEEL PLATE   | PROFILED      | CR4            | 1   |



|   |       |          |          |  |          |        |
|---|-------|----------|----------|--|----------|--------|
| GALVANISED TO BS EN ISO 1461  | DRAWN | DATE     | REVISION | DESCRIPTION                            | ITEM NO  | DWG NO |
| TOLERANCE:<br>UPTO 400MM +2MM<br>401 TO 800MM +4MM<br>801 AND OVER +6MM | TAS   | 13/09/18 |          | FLEXIBLE CORNER<br>(INTERNAL/EXTERNAL) | ARMFLEXI | 004A   |