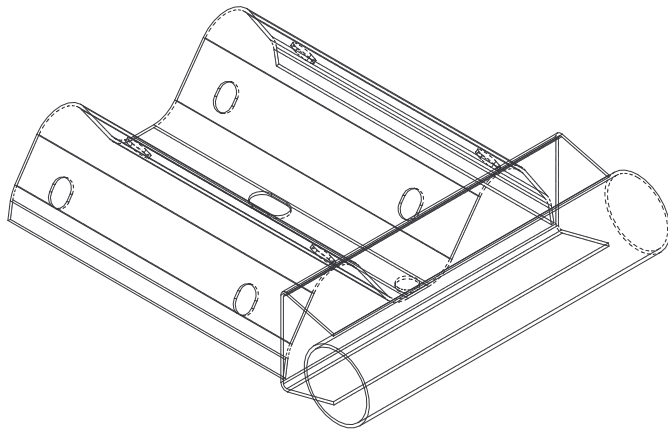


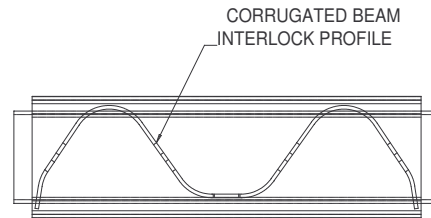
armco direct limited
CRASH PROTECTION PRODUCTS

MATERIAL TYPE	MATERIAL SIZE	MATERIAL GRADE	QTY
MILD STEEL	3mm THICK	BSEN 10025 S275	

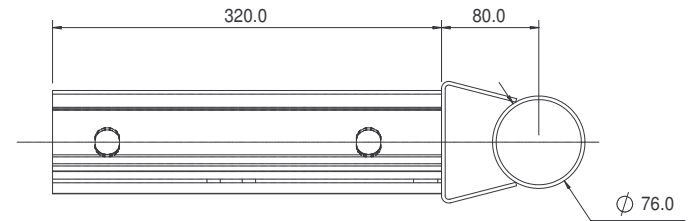
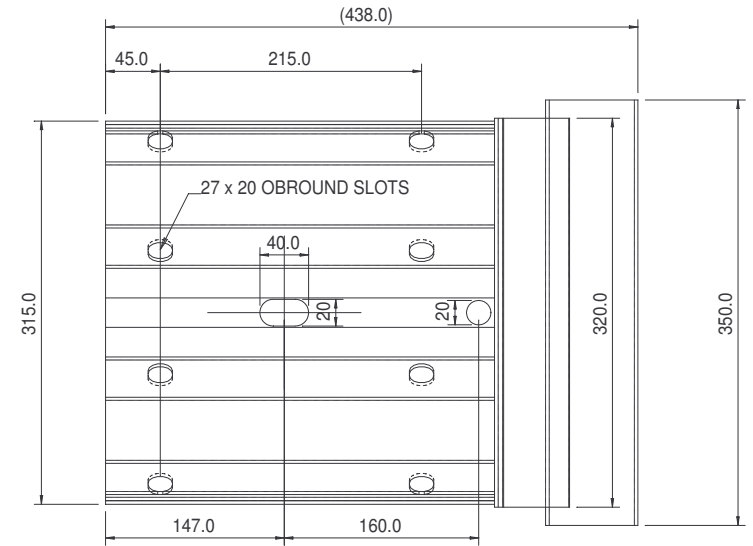


ISOMETRIC VIEW

FULLY WELDED CONSTRUCTION



CORRUGATED BEAM
INTERLOCK PROFILE



GALVANISED TO BS EN ISO 1461

DRAWN

DATE

REVISION

DESCRIPTION

ITEM NO

DWG NO

TOLERANCE:

UPTO 400MM +2MM

401 TO 800MM +4MM

801 AND OVER +6MM

A.I.B

16/09/08

-

PEDESTRIAN END

ARM003