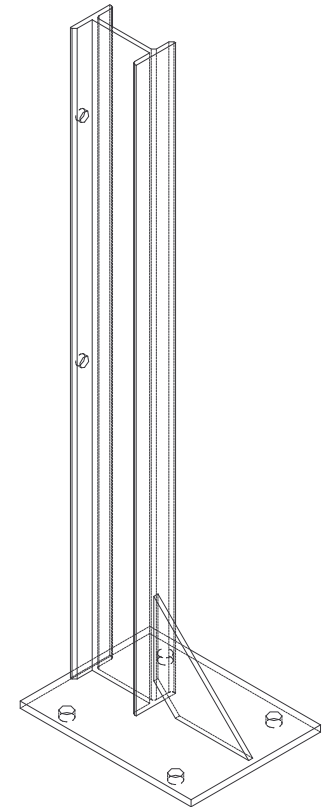
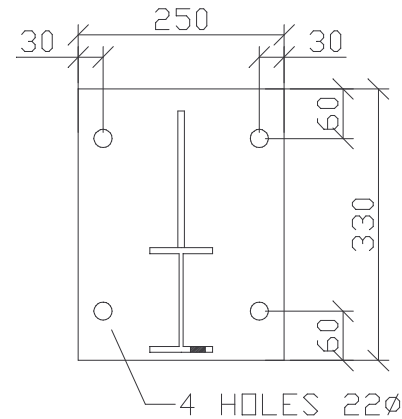
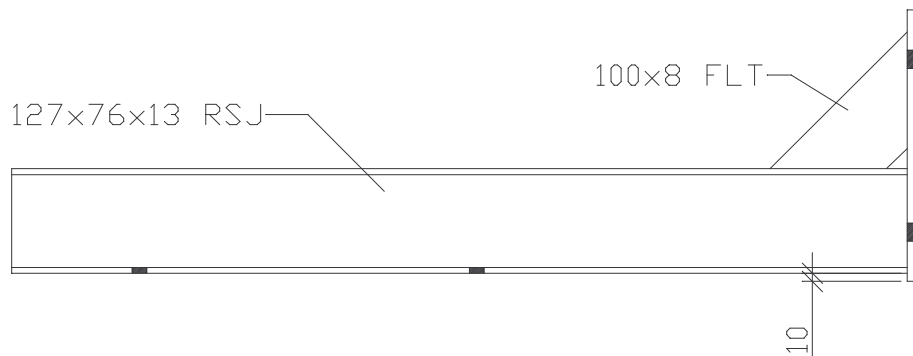
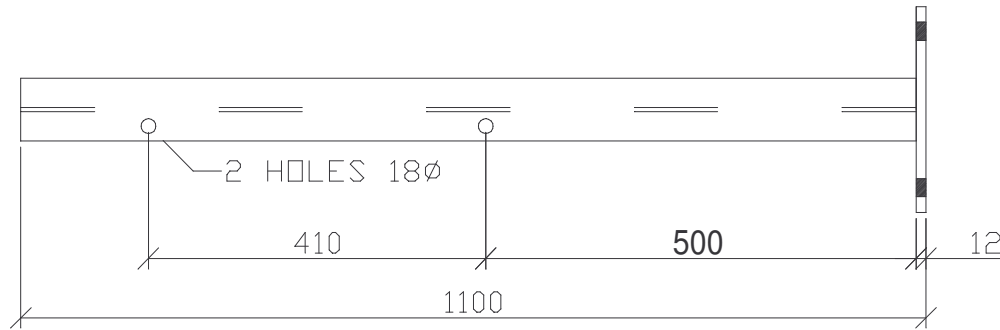


armco direct limited
CRASH PROTECTION PRODUCTS

MATERIAL TYPE	MATERIAL SIZE	MATERIAL GRADE	QTY
127X76X13 RSJ	1088 LG	BSEN 10025 S275JR	1ND
250X12 FLAT	330 LG	BSEN 10025 S275JR	1ND
100X8 FLAT	235 LG (MBE)	BSEN 10130 DC01	1ND



GALVANISED TO BS EN ISO 1461	DRAWN	DATE	REVISION	DESCRIPTION	ITEM NO	DWG NO
TOLERANCE: UPTO 400MM +2MM 401 TO 800MM +4MM 801 AND OVER +6MM	A.I.B	12/07/07	-	1100LG BOLT DOWN DOUBLE CRASH BARRIER POST 127X76 RSJ	BD1100	ARM012