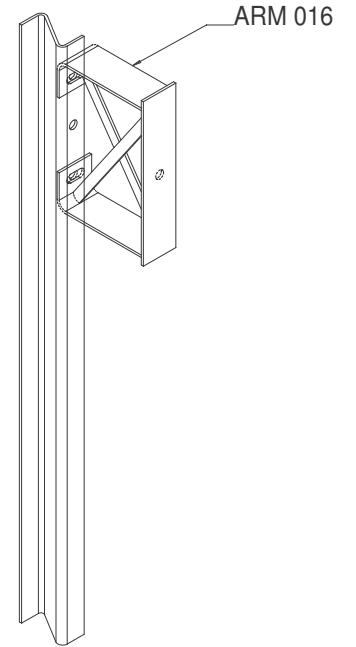
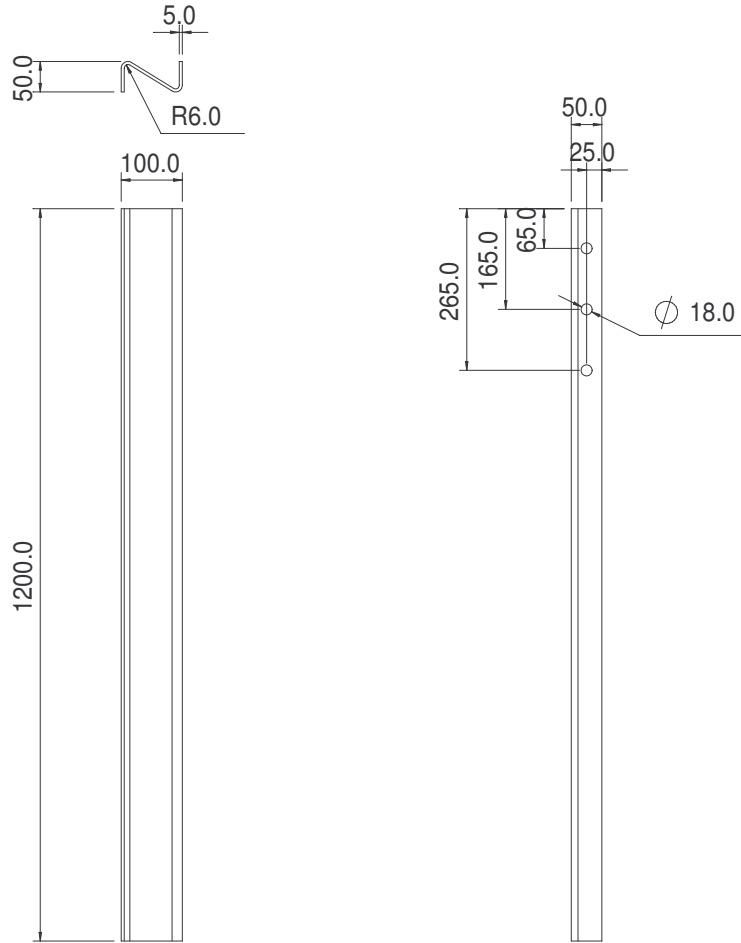


armco direct limited
CRASH PROTECTION PRODUCTS

MATERIAL TYPE	MATERIAL SIZE	MATERIAL GRADE	QTY
MILD STEEL	5mm THK	BSEN 10025 S275	



GALVANISED TO BS EN ISO 1461	DRAWN	DATE	REVISION	DESCRIPTION	ITEM NO	DWG NO
TOLERANCE: UPTO 400MM +2MM 401 TO 800MM +4MM 801 AND OVER +6MM	A.I.B	13/08/08	-	100 x 50 x 1200 SET IN CRASH BARRIER POST		ARM013