

armco direct limited
CRASH PROTECTION PRODUCTS

MATERIAL TYPE

MILD STEEL

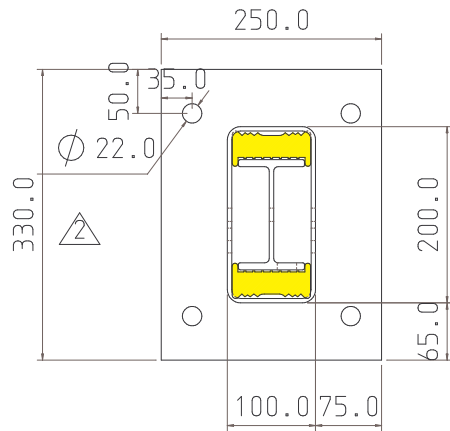
RUBBER EXT

MATERIAL SIZE

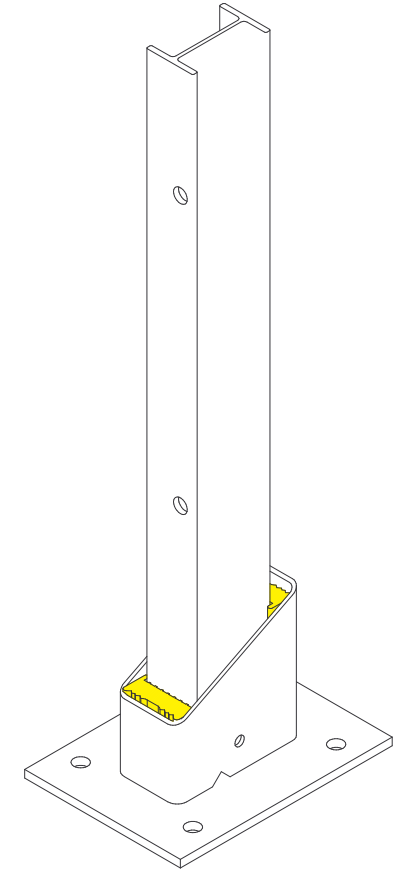
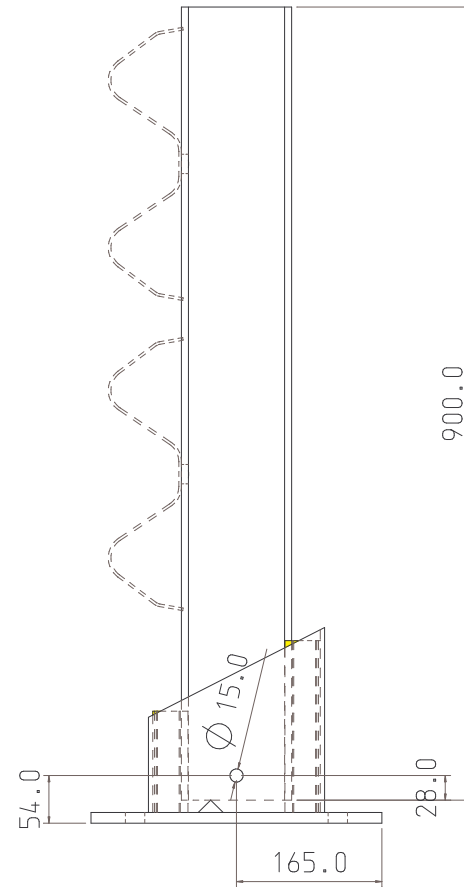
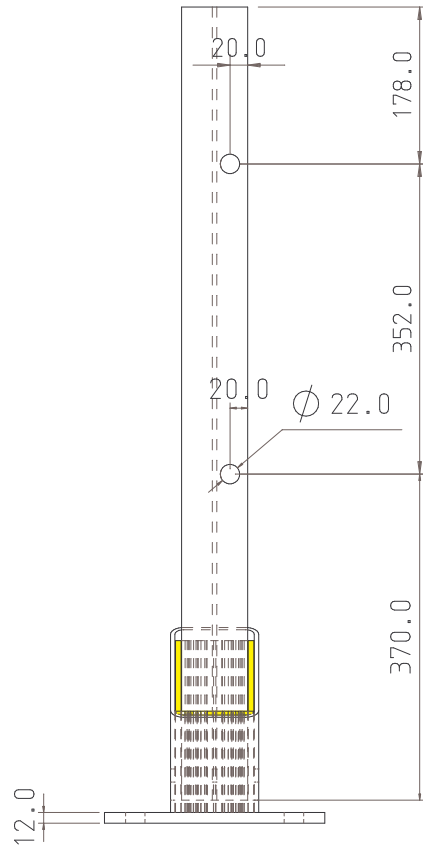
MATERIAL GRADE

BSEN 10025 S275

QTY



PLAN VIEW



ISOMETRIC VIEW

GALVANISED TO BS EN ISO 1461

DRAWN

DATE

REVISION

DESCRIPTION

ITEM NO

DWG NO

TOLERANCE:

UPTO 400MM +2MM

401 TO 800MM +4MM

801 AND OVER +6MM

A.I.B

10/06/09

1

A.I.B

03/07/09

2

SHOCK ABSORBING
900 LG CRASH BARRIER POST

ARM042
ISS 2