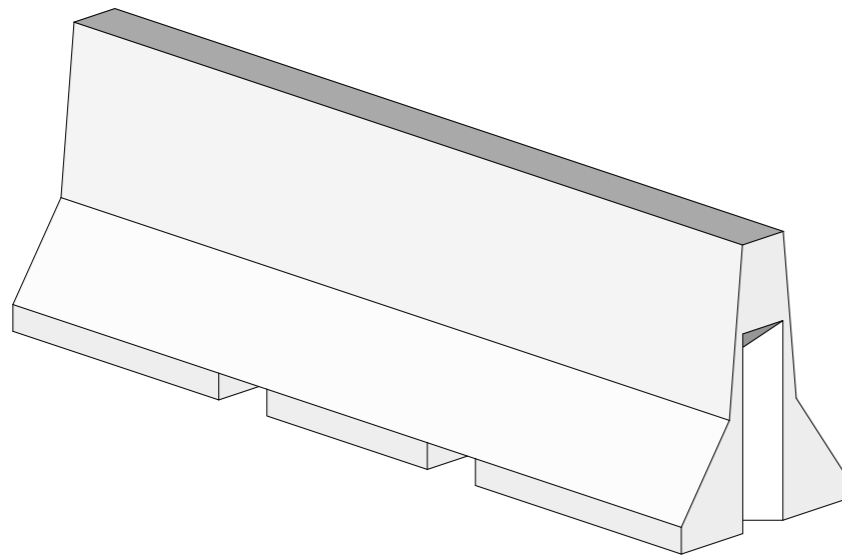


All Jersey Interlocking Heavy Duty Barriers are manufactured using high strength (50N/mm²) concrete



Notes

- Dimensions in millimetres.
- Tolerance to be $\pm 0.5\%$ unless otherwise stated.
- Concrete mix C50.

Weight of Barrier : 1,450kg Approx.

