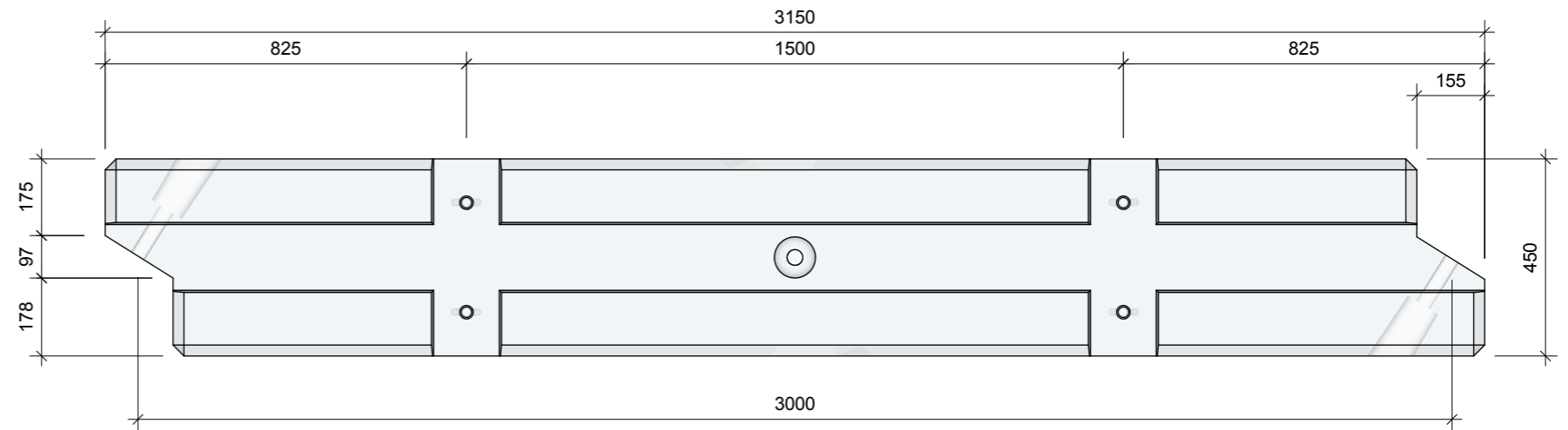
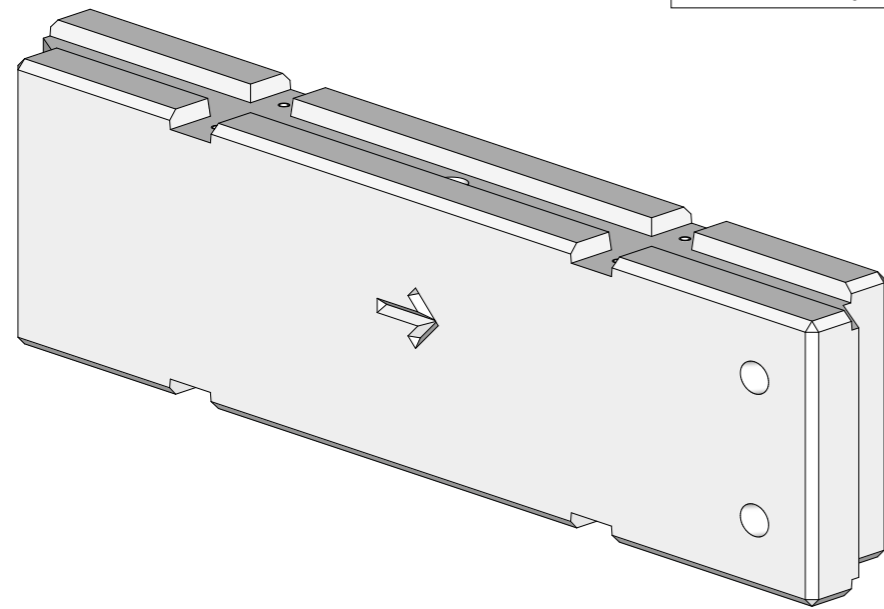


All Temporary Concrete Vertical Barriers (TVCB) are manufactured using high strength (50N/mm<sup>2</sup>) concrete



**Notes**

- Dimensions in millimetres.
- Tolerance to be  $\pm 0.5\%$  unless otherwise stated.
- Concrete mix C50.
- The overlap of the scarf joint must always be in the direction of traffic.

Weight of Barrier : 2,500kg Approx.

