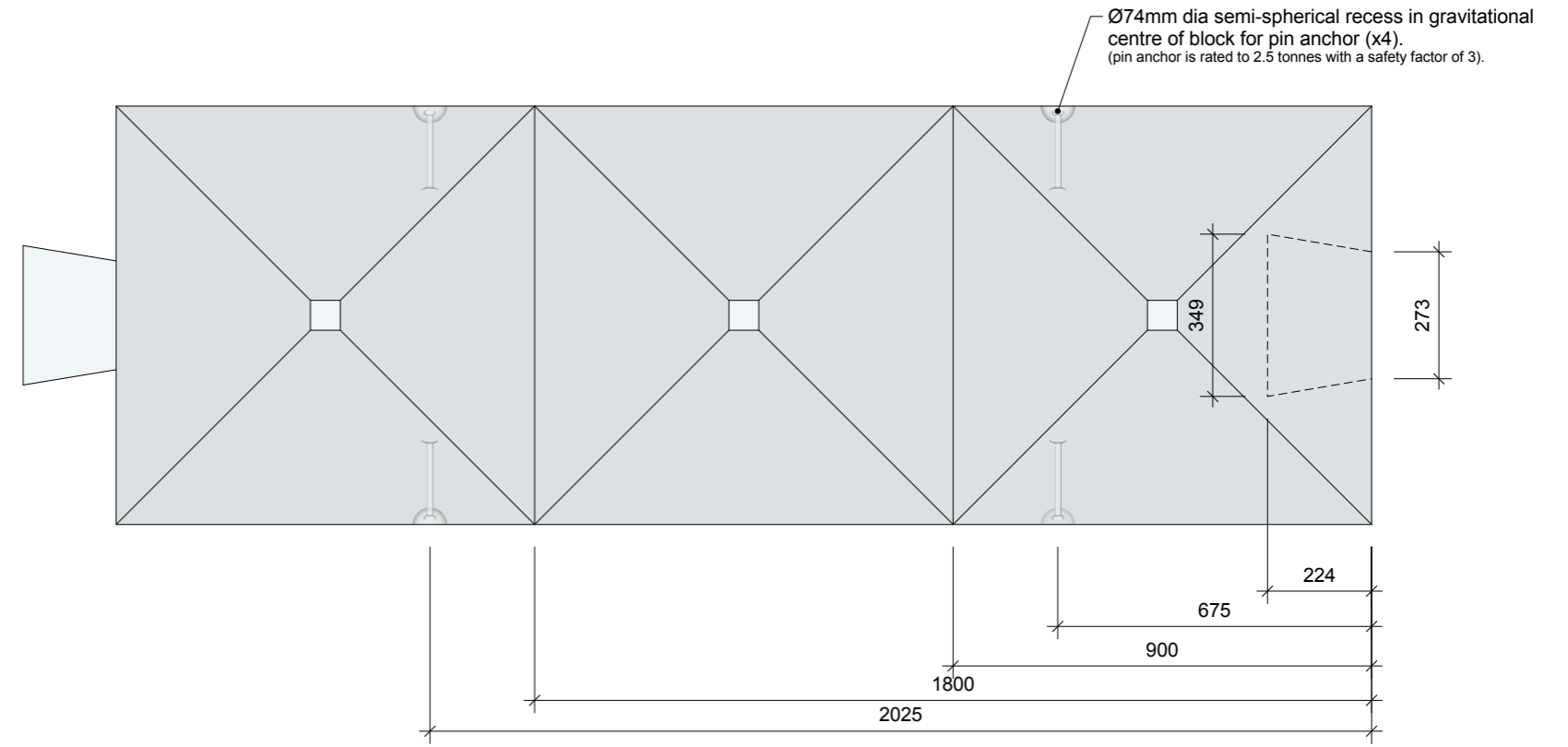
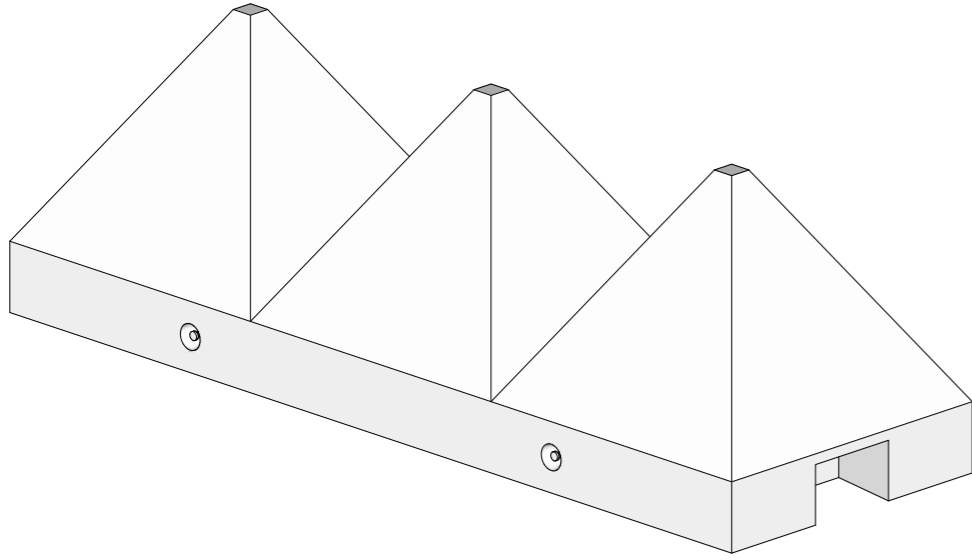


All Tank Trap Interlocking Concrete Blocks are manufactured using high strength (50N/mm²) concrete



Notes

- Dimensions in millimetres.
- Tolerance to be ±0.5% unless otherwise stated.
- Concrete mix C50.

Weight of Block : 2,500kg Approx.

