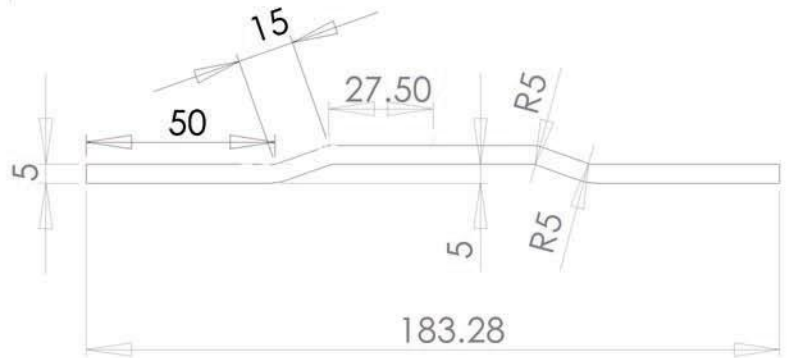
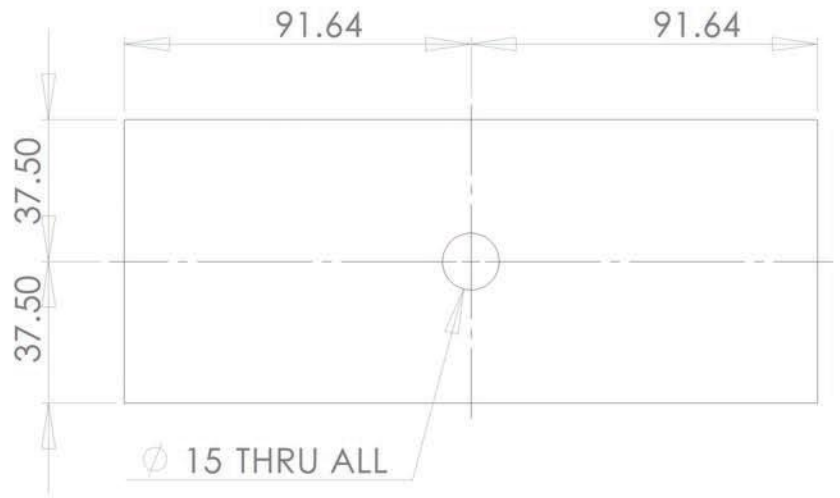
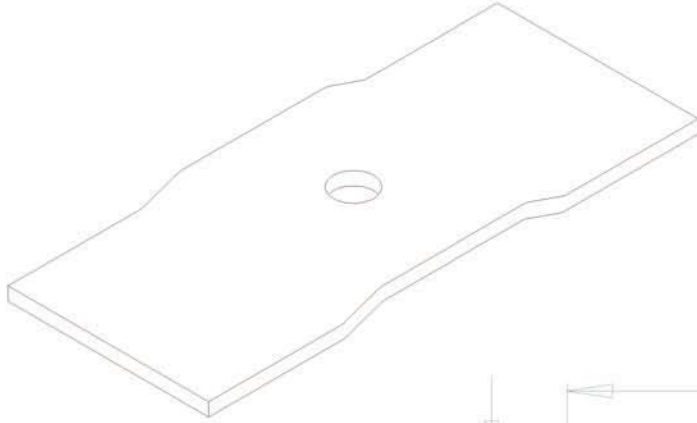


REV.	DESCRIPTION	DATE
01	Initial Release	02 NOV 2011



NAME	SIGNATURE	DATE	TITLE:	
DRAWN: stuart		11/11/2011	<h1>Post Clamp Plate</h1>	
CHK'D:				
APPV'D:				
MFG:				
Q.A:				
MATERIAL: 5mm M/S Plate			DWG NO. 1000316-01	A4
WEIGHT:			SCALE:1:5	SHEET 1 OF 1