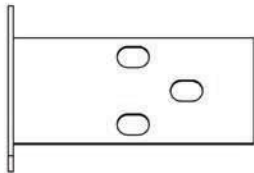
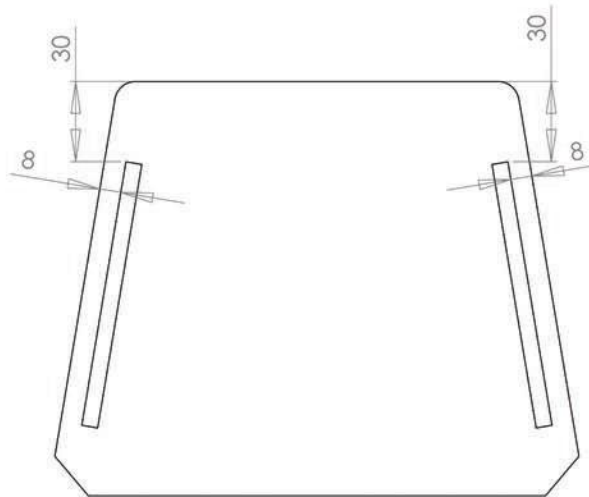
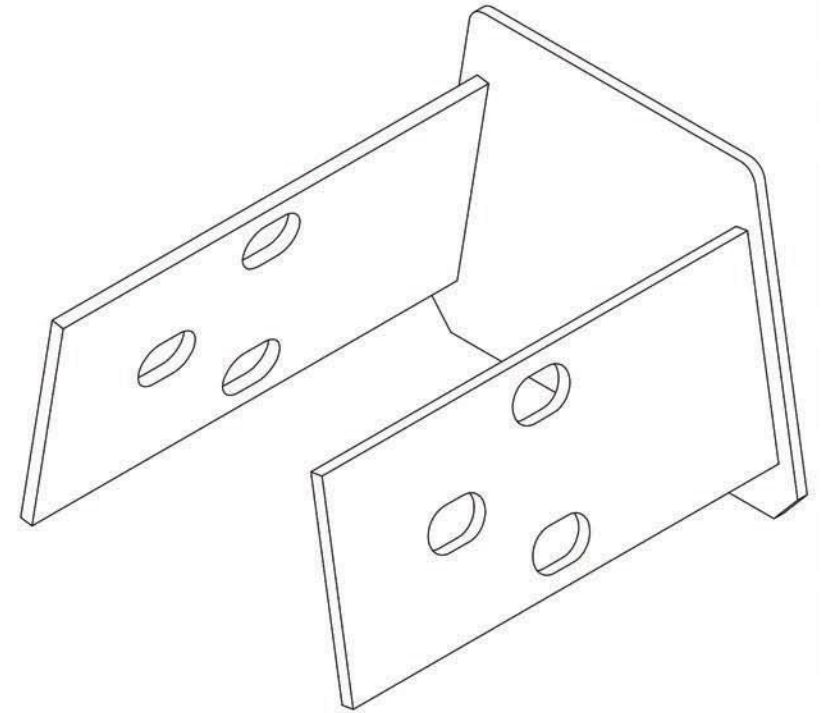
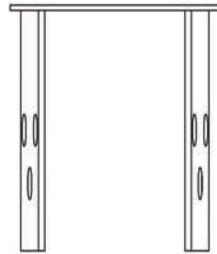


REVISIONS

REV.	DESCRIPTION	DATE
01	Initial Release	03 Nov 2011



ITEM NO.	PART NUMBER	DESCRIPTION	QTY.
1	1000319	End Cover End Plate	1
2	1000318	End Cover Inside Plate	2

UNLESS OTHERWISE SPECIFIED: DIMENSIONS ARE IN MILLIMETERS				FINISH: Galvanised		DEBUR AND BREAK SHARP EDGES		DO NOT SCALE DRAWING		Alt: S-CBOBEC	
SURFACE FINISH:				MATERIAL: M/S Plate		DWG NO.:		1000320-01		A3	
TOLERANCES:				WEIGHT:		SCALE:1:5		SHEET 1 OF 1			
LINEAR:											
ANGULAR:											
NAME	SIGNATURE	DATE	TITLE: End Cover								
DRAWN	stuart	11/11/2011									
CHK'D											
APP'VD											
MFG											
Q.A											