

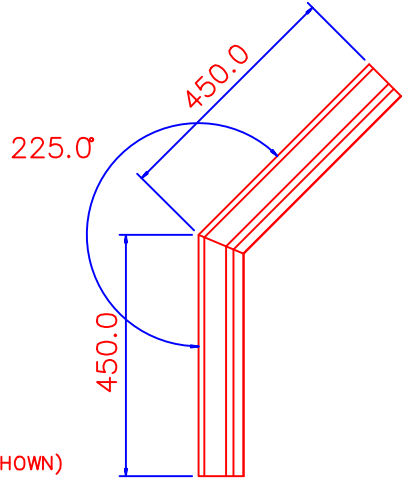
PROJECTION



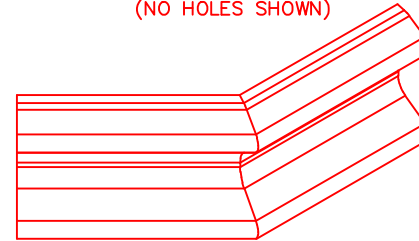
**armco**direct  
limited  
CRASH PROTECTION PRODUCTS

MATERIAL TYPE	MATERIAL SIZE	MATERIAL GRADE	QTY
---------------	---------------	----------------	-----

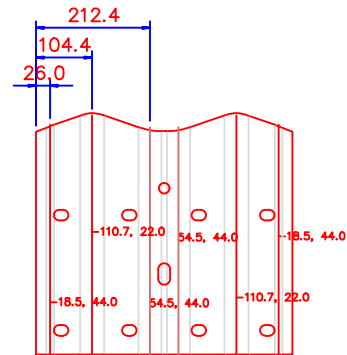
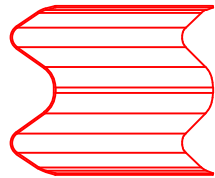
MILD STEEL	3mm	BSEN 10025 S275	
------------	-----	-----------------	--



ISOMETRIC  
(NO HOLES SHOWN)



(NO HOLES SHOWN)



DEVELOPMENT

GALVANISED TO BS EN ISO 1461	DRAWN	DATE	REVISION	DESCRIPTION	ITEM NO	DWG NO
TOLERANCE: UPTO 400MM +2MM 401 TO 800MM +4MM 801 AND OVER +6MM	A.I.B	27/08/09	INT	45 DEG EXT CRASH CORNER		ARM047