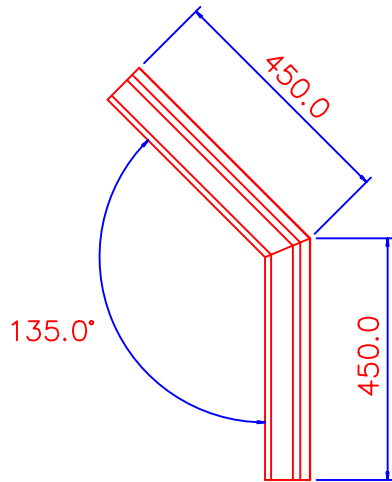


PROJECTION

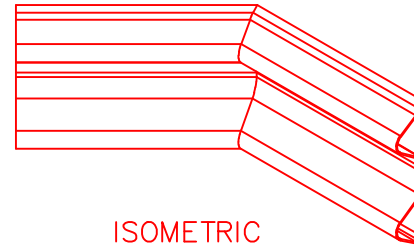
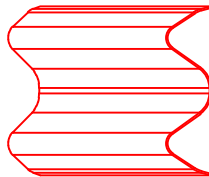


**armc**odirect limited  
CRASH PROTECTION PRODUCTS

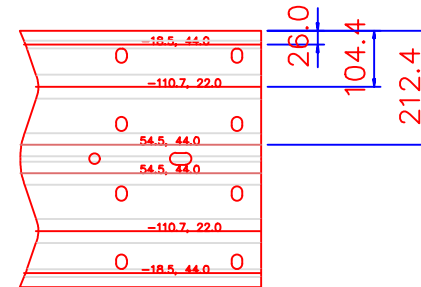
MATERIAL TYPE	MATERIAL SIZE	MATERIAL GRADE	QTY
MILD STEEL	3mm	BSEN 10025 S275	



(NO HOLES SHOWN)



ISOMETRIC  
(NO HOLES SHOWN)



DEVELOPMENT

GALVANISED TO BS EN ISO 1461	DRAWN	DATE	REVISION	DESCRIPTION	ITEM NO	DWG NO
TOLERANCE: UPTO 400MM +2MM 401 TO 800MM +4MM 801 AND OVER +6MM	A.I.B	10/09/09	01	45 DEG INT CRASH CORNER		ARM048