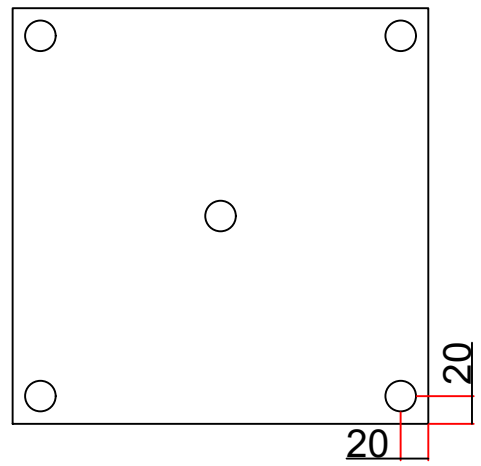
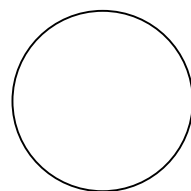
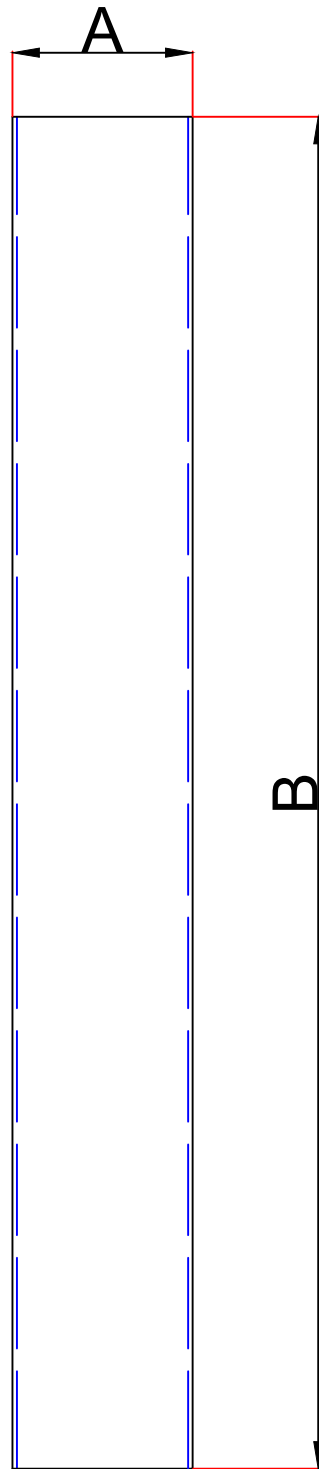


A	B	C	D	E
114	200	8	18	1000
139	220	8	18	1000
168	250	8	22	1000
194	300	10	22	1200



- WALL THICKNESS:- 5mm
- 3mm STEEL CAP
- GALVANISED FINISH
- AVAILABLE IN RAL 1007 YELLOW
- REF:- ARM BDB



A	B
114	1500
139	1500
168	1500
194	1800

- WALL THICKNESS:- 5mm
- 3mm STEEL CAP
- GALVANISED FINISH
- AVAILABLE IN RAL 1007 YELLOW
- REF:- ARM DIB