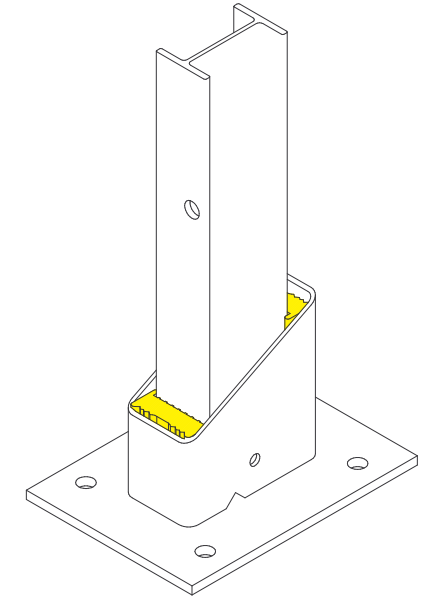
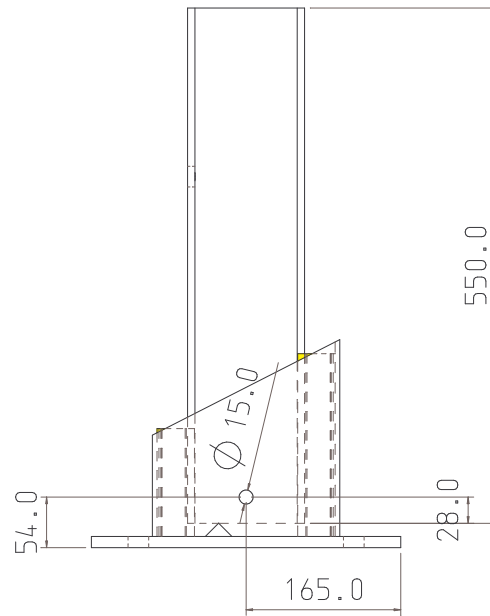
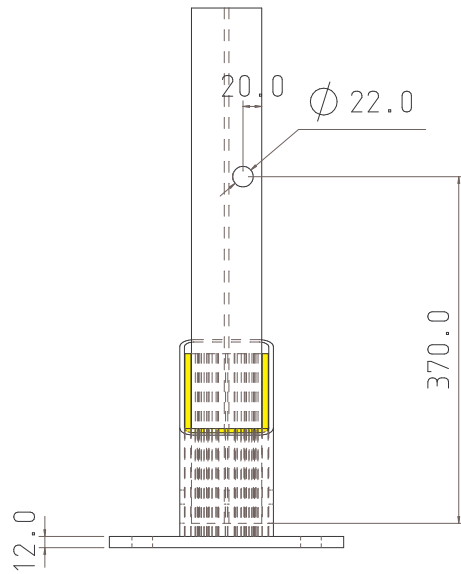
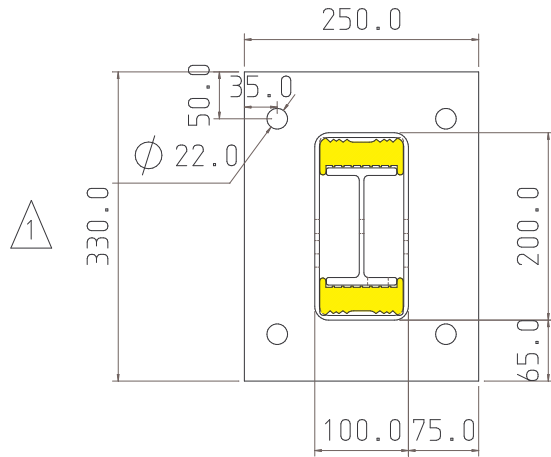


**armco**direct limited  
CRASH PROTECTION PRODUCTS

MATERIAL TYPE	MATERIAL SIZE	MATERIAL GRADE	QTY
MILD STEEL		BSEN 10025 S275	
RUBBER EXT			



ISOMETRIC VIEW

GALVANISED TO BS EN ISO 1461

DRAWN

DATE

REVISION

DESCRIPTION

ITEM NO

DWG NO

TOLERANCE:

UPTO 400MM +2MM  
401 TO 800MM +4MM  
801 AND OVER +6MM

A.I.B

13/11/08

INT

SHOCK ABSORBING  
CRASH BARRIER POST

A.I.B

03/07/09

1

ARM022

ISS 1