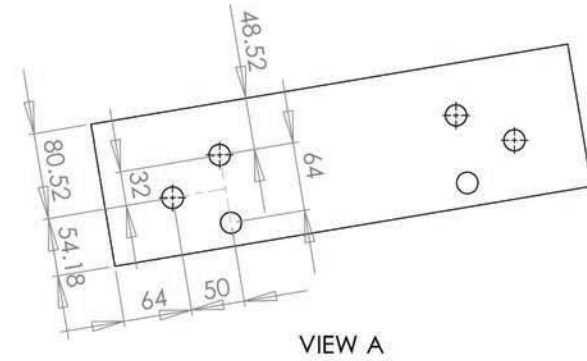
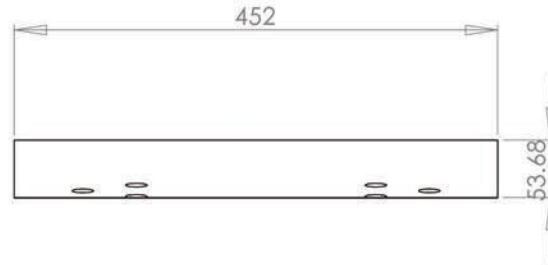
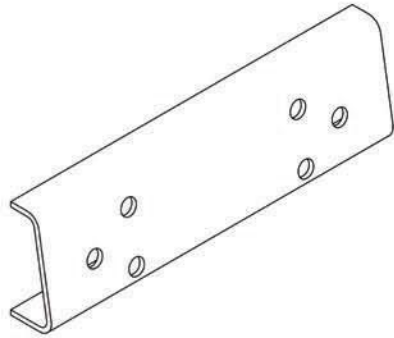
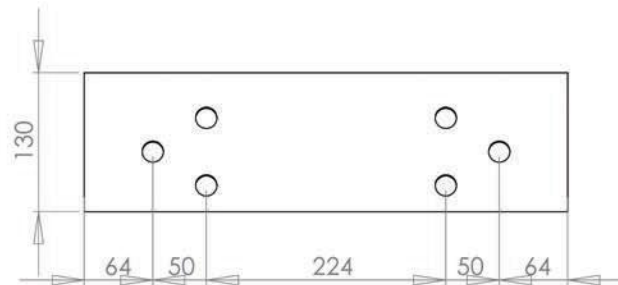
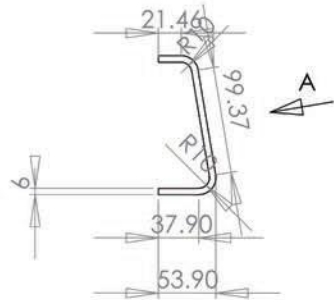


REVISIONS

REV.	DESCRIPTION	DATE
01	Initial Release	03 Nov 2011



VIEW A



UNLESS OTHERWISE SPECIFIED: DIMENSIONS ARE IN MILLIMETERS				FINISH: Galvanised		DEBUR AND BREAK SHARP EDGES		DO NOT SCALE DRAWING		Aix: S-CBOBFP	
SURFACE FINISH:				MATERIAL: M/S Plate		DWG NO.:		1000317-01		A3	
TOLERANCES:				WEIGHT:		SCALE:1:5		SHEET 1 OF 1		TITLE: Fish Plate Connector	
LINEAR:		ANGULAR:		DRAWN:		SIGNATURE:		DATE:		11/11/2011	
DRAWN:		CHK'D:		APP'VD:		MFG:		Q.A:			